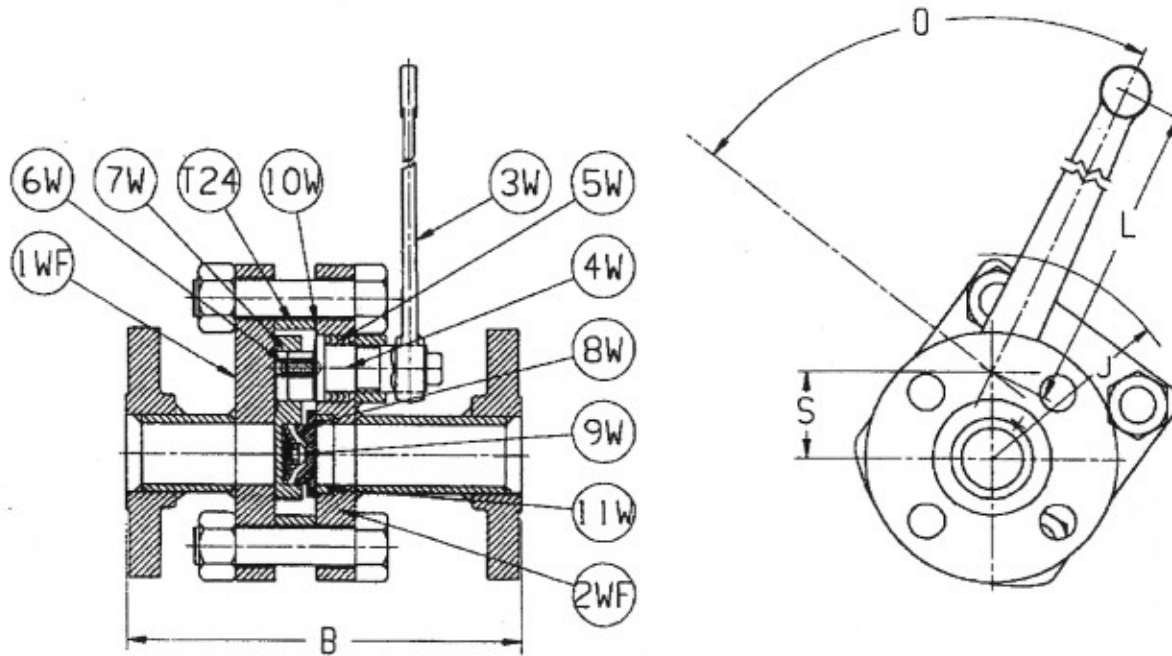


NAME: GENERAL ASSEMBLY

VALVE: STANDARD BOILER VALVE S/L FL'G END

FIGURE NO: 4001-S(57)



PART NO.	PATR NAME	MATERIAL	QTY
1WF	TOP BONNET	STEEL	1
2WF	BOTTOM BONNET	STEEL	1
3W	WRENCH	FORGED STEEL	1
4W	POST	FORGED BRASS	1
5W	POST PACKING	TFE/GRAFITE	1 SET
6W	POST SPRING	17-7PH SS	1
7W	LEVER ARM	DUCTILE IRON	1
8W	DISC	440-CSS	1
9W	DISC SPRING	17-7PH SS	1
10W	BODY GASKET	STAINLESS STEEL	2
11W	SEAT BUSHING	440-C SS	1
T24	DISTANCE RING	STEEL	1

RATING 300 LB

FIG. # 4001-S	DIMENSION				
	B	J	L	O	S
1	7 5/8	4	9	55°	1 5/8
1 1/4	7 3/4	4 3/4	9	55°	1 3/4
1 1/2	8 7/8	5 1/4	12 1/2	55°	2 1/8
2	9	5 1/4	18	60°	2 3/16
2 1/2	12	6 1/4	23	60°	2 3/4

EVERLASTING

VALVE
CO, INC

SCALE:
.215232

DRAWN BY:
CH'D BY:

DATE:
REV:

DWG NO: bv.4001.s