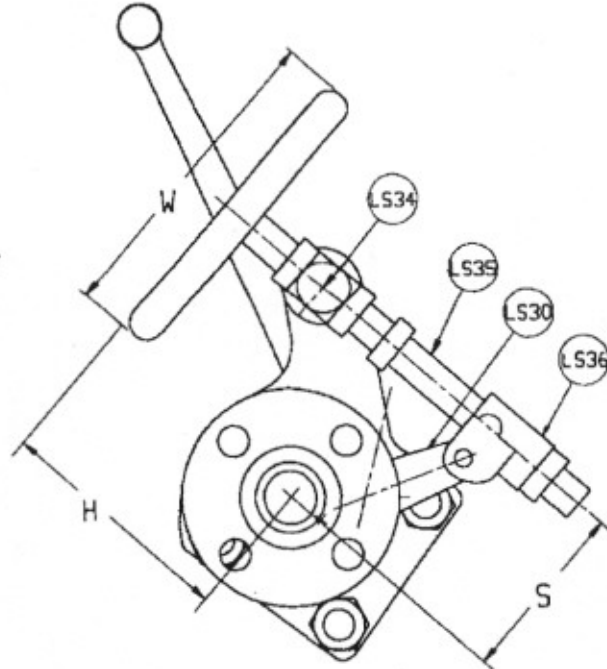
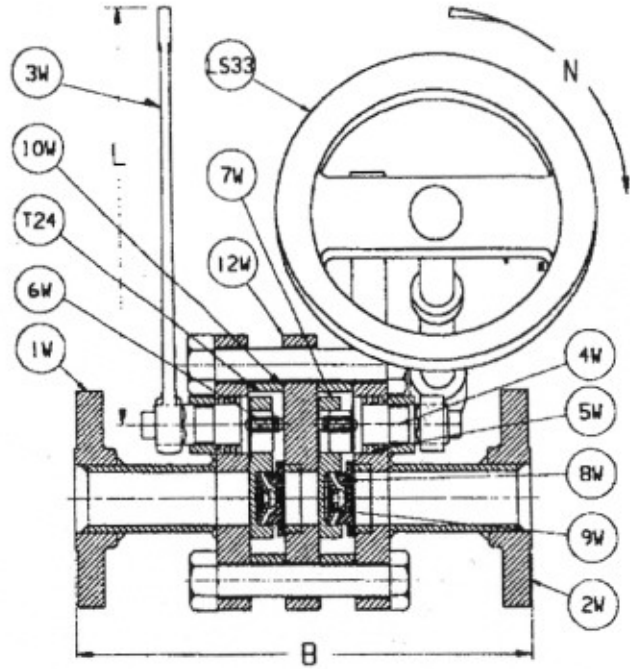


NAME: GENERAL ASSEMBLY-UNITANDEM RIGHT HAND

VALVE: STANDARD L/S BOILER VALVE TH'D END

FIGURE NO: 5061-R



RATING 300 LB

PART NO.	PATR NAME	MATERIAL	QTY
1W	INLET BONNET	STEEL	1
2W	OUTLET BONNET	STEEL	1
3W	OPERATING LEVER	STEEL	1
4W	POST	FORGED BRONZE	2
5W	POST PACKING	TFE/GRAPHITE	2
6W	POST SPRING	17-7PH SS	2
7W	LEVER ARM	DUCTILE IRON	2
8W	DISC	440-C SS	2
9W	DISC SPRING	17-7PH SS	2
10W	BODY GASKET	STAINLESS STEEL	4
11W	SEAT BUSHING	440-C SS	2
12W	CENTER PLATE	STEEL	1
T24	DISTANCE RING	STEEL	2
LS 30	WRENCH	DUCTILE IRON	1
LS 33	HANDWHEEL	CAST IRON	1
LS 34	PIVOT BEARING	CAST IRON	1
LS 35	SCREW	STEEL	1
LS 36	CLEVIS NUT	CAST IRON	1

FIG.# A5061-R	DIMENSION					
	B	H	L	N	S	W
1	10	7 1/4	9	11	4 3/4	9
1 1/4	10 1/4	7 1/4	9	10	5	9
1 1/2	11 1/2	6 1/2	12 1/2	10 1/2	5	9
2	12	7	18	13	5	9

EVERLASTING

VALVE
CO. INC.

SCALE:
1/8"=1"

DRAWN BY:
C.H.D. BY:

DATE:
REV:

DWG NO: bv.5061.r.h