

# PILOTS

## "P" & "P5" Pilot

Pressure Pilot for HD & D Regulating Valves

Watson McDaniel reserves the right to change the designs and/or materials of its products without notice.  
©2004 Watson McDaniel Company

Revised 9/2004

### Pressure Pilot

- **Outlet Pressure Range: 3-200 PSIG**
- **P-Pilot** Standard for  $\pm 1$  PSIG accuracy
- **P5-Pilot** Special for  $\pm 0.5$  PSIG accuracy



| PRESSURE-ADJUSTING SPRING RANGES |                 |                    |
|----------------------------------|-----------------|--------------------|
| "P" (pressure)                   | "P5" (pressure) | Identifying Colors |
| 3-25 PSIG                        | 1-10 PSIG       | yellow             |
| 20-100 PSIG                      | 10-25 PSIG      | blue               |
| 80-200 PSIG                      | -               | red                |

| MATERIALS            |                     |
|----------------------|---------------------|
| Pilot Body & Cover   | Ductile Iron        |
| Gasket               | Garlock 3400        |
| Diaphragm            | Phosphor Bronze     |
| Head & Seat Assembly | Hardened SST (55Rc) |

### TYPICAL APPLICATIONS

The "P" or "P5" Pressure Pilots used with either the HD or D Regulator control steam pressure in steam mains or for process equipment. Pilot operated regulators will maintain constant downstream pressure even when the inlet pressure to the valve fluctuates or steam usage varies.

### FEATURES

- The "P" Pilot can maintain downstream pressure to  $\pm 1$  PSIG
- Optional "P5" Pilot can maintain downstream pressure to  $\pm 0.5$  PSIG
- Choices of 3 overlapping pressure ranges
- In-line change of pressure control spring
- Pilot installs using four bolts
- Full port strainer and blow-down valve on HD pilot adapter to eliminate failure caused by contaminated steam systems
- Can be used with temperature and solenoid control pilot
- Solid floating diaphragm
- Watson McDaniel's pilots can be used with other manufacturers regulators

### OPTIONS

- Pressure pilot can be used with temperature pilot to eliminate the need for two separate regulators.
- Solenoid pilot can be added for remote on/off control of regulator
- P5 Options: Call factory for special "P5" Pilot which will maintain  $\pm 0.5$  PSIG accuracy

### RECOMMENDED PRESSURE

Differential Pressure: 10 PSIG minimum  
Minimum Inlet Pressure: 15 PSIG\*

\*Minimum Inlet Pressure for Temperature Regulator: 5 PSIG

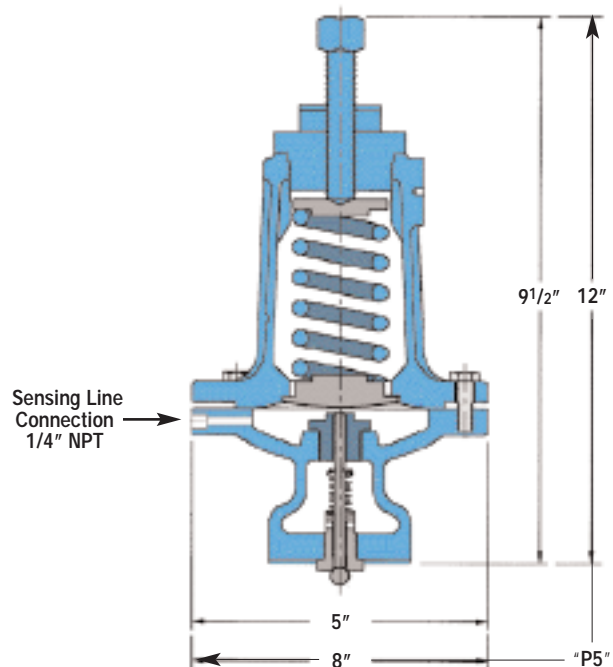
### HOW TO ORDER

#### "P" or "P5" PRESSURE PILOT

Specify: • Reduced pressure range.

#### REGULATOR BODY

Specify: • HD or D regulator body.  
• Regulator size or capacity.  
• End connections (threaded, 125/150/250/300# flanged).



REGULATORS